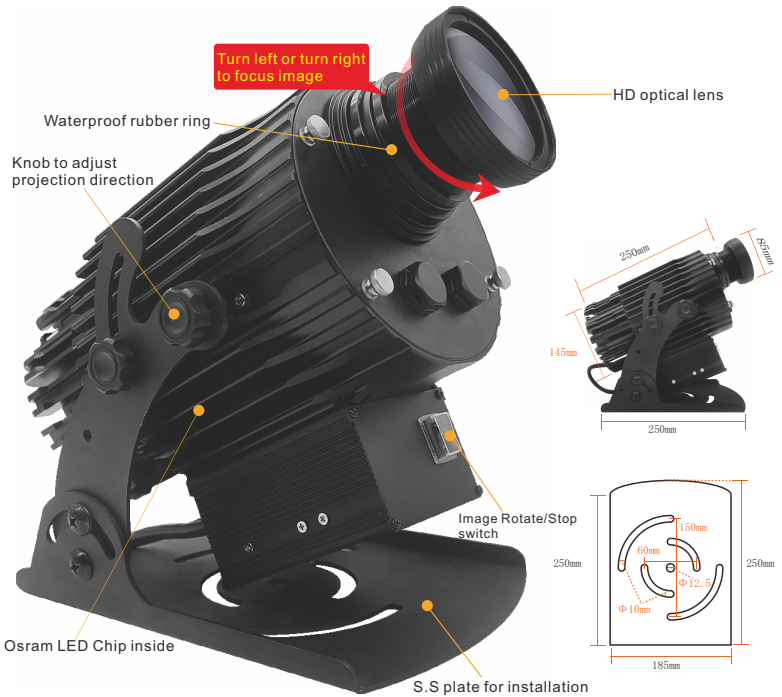


100W Multi-Gobo Switching User Manual



Specification

Item	LED Gobo Projector
Power	100W
Input	AC85~265V
LED Chip	Osram
Angle	15°/30°/50°
CCT	3000K/4000K/6000K
Projection Distance	3~120m(10~395ft)
IP Rank	Ip65
Lamp Size	310x210x230mm
Gobo Spec	OD:30mm;ID:20mm
N.W	5.8KG

CAUTION



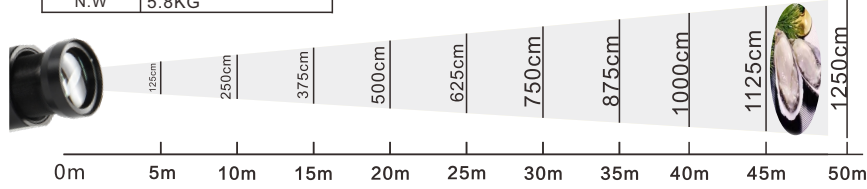
⚠ Rubber ring didn't attach well



✓ Rubber ring attached well

Attention: After Focus; the rubber ring & waterproof ring should attach tightly!

Image Size Against Projection Distance



Installation Guide



1. Install screws to fix the projector



2. Power On



3. Adjust the image definition by rotating the zoom lens

Change Gobo



1. Power Off



2. Loosen the screws and take out the heat sink



3. take out the old gobo and install the new gobo
(Right side face bottom)



4. New gobo face the hole of the second layer

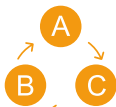


4. Fix the heat sink onto the lamp body & fasten the screws

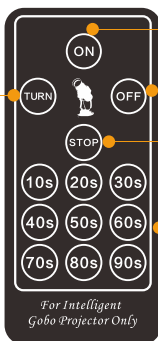


Remote Controller

Turn to next gobo



3/4/5/6/7 Gobos
Change By Circularly



Lamp On

Lamp Off

Stop Changing Gobo

Set Changing Period

For Intelligent
Gobo Projector Only

